

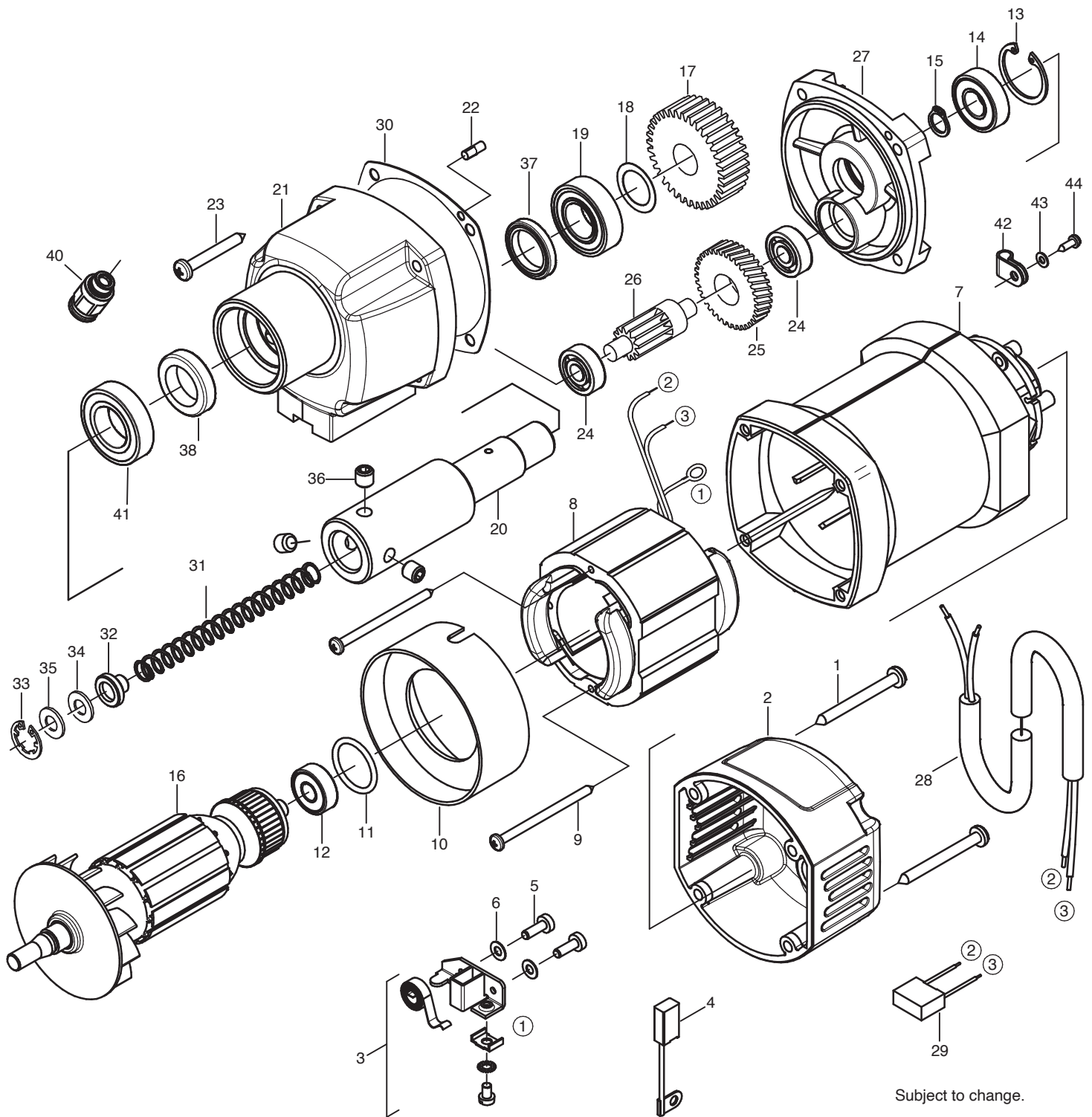
SPARE PARTS LIST MOTOR FOR KARNASCH MAGNETIC HOLE CUTTING MACHINES

ART.: 20 8034 010 TYPE KALP148 - 230 VOLT /
ART.: 20 8034 020 TYPE KALP148 - 110 VOLT



ART.: 20 8034 010 TYPE KALP148 - 230 VOLT /

ART.: 20 8034 020 TYPE KALP148 - 110 VOLT



ART.: 20 8034 010 TYPE KALP148 - 230 VOLT /

ART.: 20 8034 020 TYPE KALP148 - 110 VOLT

230 V

no	description	part no	pcs
1	Cap screws HC 4,8x50	80201284	4
2	Motor top cap	7411P241	1
3	Brushholder assem	80201196	2
4	Carbon brush 6,3x10x18	80700013	2
5	Brushholder mount screw ZM4x12	80201180	4
6	Spring washer B4 corrugated	80201385	4
7	Motor housing	80900088	1
8	Stator complete 230V	77117150	1
9	Screw C 3,9x60	80201266	2
10	Fan ring	80900017	1
11	O-ring 22x2,5	83000036	1
12	Bearing 608 2Z	80410011	1
13	Circlip	80201333	1
14	Bearing 6001 2Z	80410031	1
15	Circlip 10/1	80201305	1
16	Rotor complete 230V	77117100	1
17	Spindle gear	74010430	1
18	Shim washer 17x24x0,2	80200507	1
19	Bearing 6003 2RS	80410043	1
20	Spindle weldon 19mm	7801L420	1
21	Gearbox housing	7411L400	1
22	Dowel pin 4x12	80200582	1
23	Screw HC4,8x38	80201283	4
24	Bearing 608	80410010	2
25	Gear	74010470	1
26	Gear shaft	74010490	1
27	Mid plate	7121E610	1
28	Cable flex 2x1 ²	74322340	1
29	Suppressor	80500010	1
30	Gasket	82000503	1
31	Compression spring	80200801	1
32	Spring retainer	7801L425	1
33	Retaining ring JK 19x1	80201350	1
34	Rubber tube 19x11x1,5	83000027	1
35	Shim ring 13/19x0,5	80200519	1
36	Threaded pin M8x8	80200756	3
37	Shaft seal 20/28/4	83000028	1
38	Shaft seal 20/30/7	83000008	1
40	Screw-in fitting	85000173	1
41	Grooved ball bearing 6904 2RS	80410152	1
42	Clamp	80600164	1
43	Disc 3,2	80201370	1
44	Screw 2,9x9,5	80201251	1

110 V

no	description	part no	pcs
8	Stator complete 230V	77118150	1
16	Rotor complete 230V	77118100	1

ata Karnasch®

EU Declaration of Conformity

Company: Karnasch Professional Tools GmbH

Address: Theodor-Heuss-Anlage 12, D-68165 Mannheim

Product names: KA35 - KA38 - KA40 - KAS40 - KA50 - KAS50 - KATV55 - KATSV55 - KA100 - KAS100 - KATV100 - KATSV100 - KATV140 - KATV200 - KALP45 - KALP148

Trade name: Karnasch Professional Tools

We, Karnasch Professional Tools GmbH, declare under our sole responsibility that the products to which this declaration relates are in conformity with the essential requirements and other relevant requirements of the Machinery Directive 2006/42/EU, the EMC Directive 2014/30/EU and RoHS Directive 2011/65/EU.

References of applied harmonised standards:

EN IEC 62841-1:2015
EN IEC 62841-2-1:2018 +All:2019
EN IEC 62841-3-13:2017
EN 55014-1:2017 +All:2020
EN 55014-2:1997 +A1:2001 +A2:2008
EN IEC 61000-3-2:2014
EN IEC 61000-3-3:2013
EN IEC 63000:2018

Person authorized to compile the technical file:

Karnasch Professional Tools GmbH, Theodor-Heuss-Anlage 12, D-68165 Mannheim

Place date of issue (of this Doc): Heddeshheim, Germany on 24th August 2022

Signed by or for the manufacture:


Name: Sascha Karnasch
Position: Managing director

KARNASCH PROFESSIONAL TOOLS®

HEADQUARTERS

Theodor-Heuss-Anlage 12
D-68165 Mannheim

KARNASCH PROFESSIONAL TOOLS®

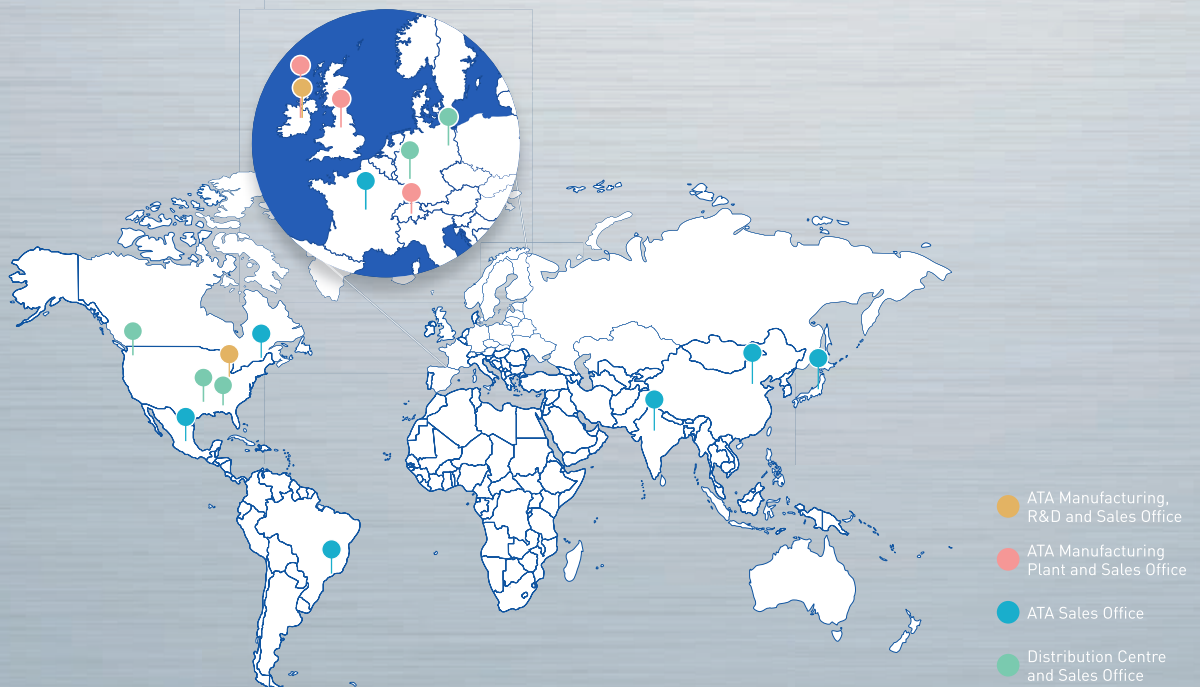
INTERNATIONAL LOGISTIC CENTRE

Straße des Friedens 10
D-15848 Tauche / OT Görzsdorf

CONTACT

Phone: +49 (0) 6203 4039-0

E-Mail: info@atakarnasch.com



KARNASCH WORLDWIDE

EUROPE AUSTRIA · BELGIUM · BOSNIA HERZEGOVINA · BRITISH VIRGIN ISLANDS · BULGARIA · CROATIA · CYPRUS · CZECH REPUBLIC · DENMARK · ESTONIA · FAROE ISLANDS · FINLAND · FRANCE · GEORGIA · GERMANY · GREECE · HUNGARY · ICELAND · IRELAND · ITALY · KOSOVO · LATVIA · LITHUANIA · LUXEMBOURG · MALTA · MOLDOVA · MONACO · MONTENEGRO · NETHERLANDS · NORWAY · POLAND · PORTUGAL · REPUBLIC OF MOLDOVA · REPUBLIC OF MACEDONIA · ROMANIA · SAN MARINO · SLOVAKIA · SLOVENIA · SPAIN · SWEDEN · SWITZERLAND · TURKEY · UKRAINE · UNITED KINGDOM · **AFRICA** ANGOLA · EGYPT · EQUATORIAL GUINEA · LYBIA · MOROCCO · NIGERIA · REPUBLIC OF MAURITIUS · SAUDI ARABIA · SOUTH AFRICA · UAE/UNITED ARAB EMIRATES · **ASIA** ARMENIA · AZERBAIJAN · CHINA · SOUTH KOREA · GEORGIA · HONG KONG · INDIA · INDONESIA · ISRAEL · JAPAN · JORDAN · KAZAKHSTAN · KUWAIT · LEBANON · MALAYSIA · PHILIPPINES · QATAR · SINGAPORE · TAIWAN · THAILAND · TUNESIEIEN REPUBLIC · VIETNAM · **SOUTH AMERICA** ARGENTINIA · BRAZIL · CHILE · COLOMBIA · EQUADOR · PERU · **NORTH AMERICA** CANADA · MEXICO · USA · **CENTRAL AMERICA** COSTA RICA · EL SALVADOR · **OCEANIA** AMERICAN SAMOA · AUSTRALIA · NEW CALEDONIA · NEW ZEALAND